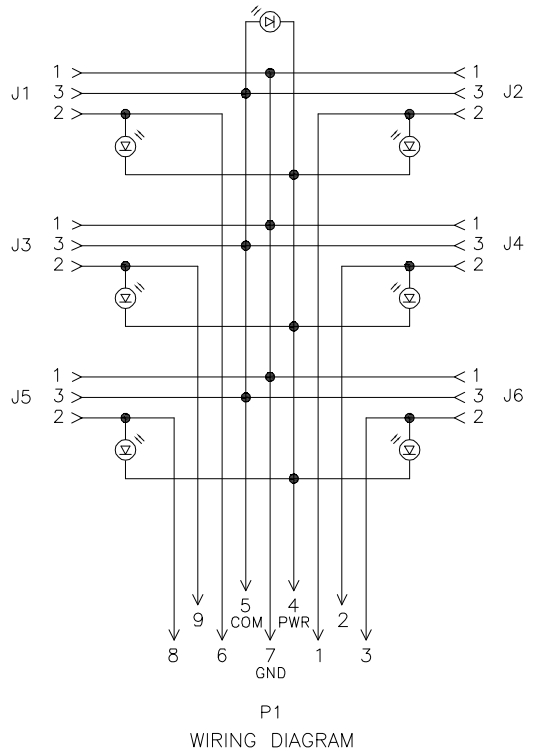
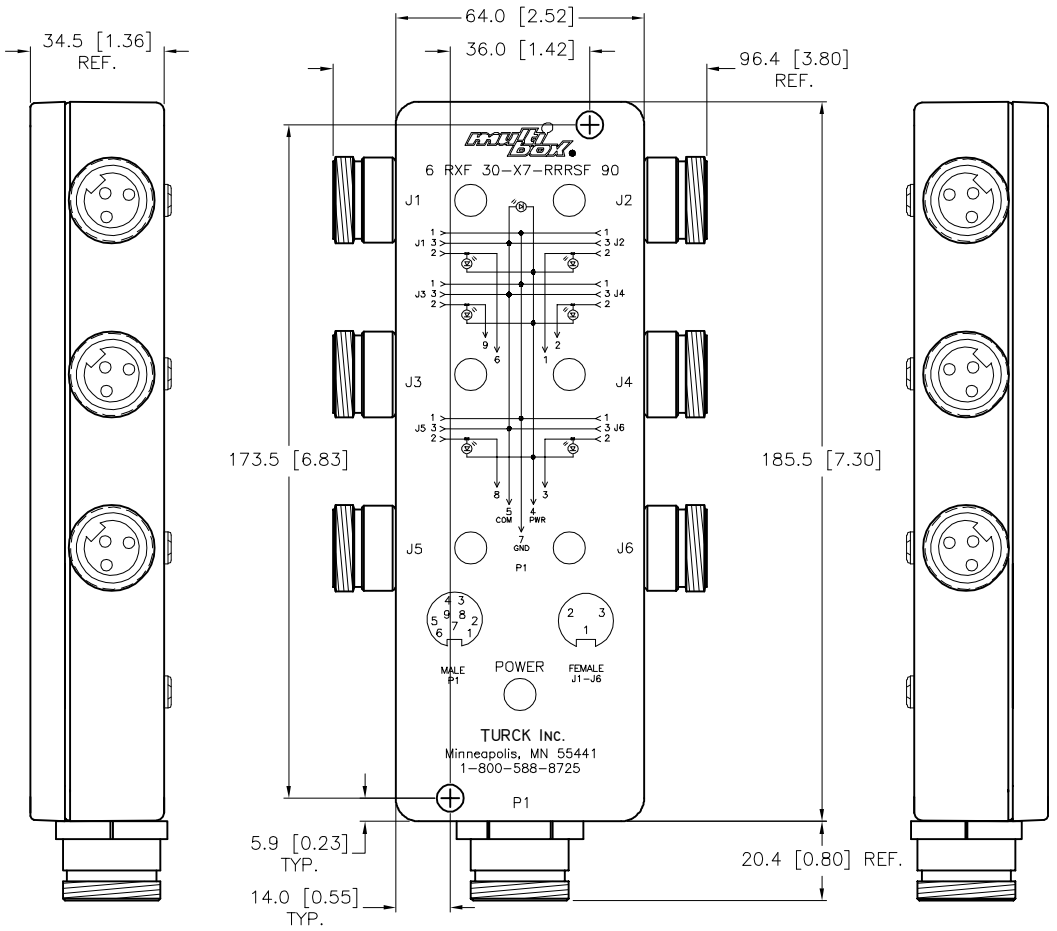
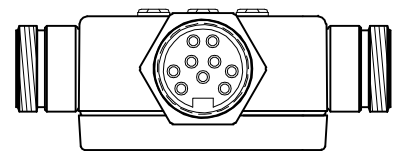


SPECIFICATIONS	
HOUSING MATERIAL	DIE-CAST ALUMINUM ALLOY
HOUSING FINISH/COLOR	POWDER COAT/BLACK
RECEPTACLE HOUSING MATERIAL	NICKEL-PLATED BRASS (J1-J6), ALUMINUM (P1)
CONTACT CARRIERS/COLOR	TPU/BLK (J1-J6), TPU/YEL (P1)
CONTACT MATERIAL/PLATING	BRASS/GOLD
OPERATING VOLTAGE	10-48 VDC
OPERATING CURRENT	4.0 AMPS PER CONNECTOR, 8 AMPS MAX
LED FUNCTION	FOR PNP SENSOR OUTPUT
PROTECTION CLASS to DIN 40050	IP 67 - ONLY WHEN ALL RECEPTACLES ARE COVERED WITH PLUGS OR CONNECTED
OPERATING TEMPERATURE	-30°C to 80°C (-22°F to 176°F)



SOURCE DRAWING - FOR REFERENCE ONLY



RELATED DOCUMENTS		3RD ANGLE PROJECTION		THIS DRAWING IS CONFIDENTIAL AND THE PROPERTY OF TURCK INC. USE OF THIS DOCUMENT WITHOUT WRITTEN PERMISSION IS PROHIBITED.		3000 CAMPUS DRIVE MINNEAPOLIS, MN 55441 1-800-544-7769 (763) 553-7300 (763) 553-0708 fax www.turck.us	
1. 2. 3. 4.				DRFT JBJ DATE 09/21/01		DESCRIPTION 6 RXF 30-X7-RRRSF 90	
MATERIAL SEE SPECIFICATIONS		ALL DIMENSIONS DISPLAYED ON THIS DRAWING ARE FOR REFERENCE ONLY		APVD SCALE 1=2.0			
FINISH SEE SPECIFICATIONS		CONTACT TURCK FOR MORE INFORMATION		UNIT OF MEASUREMENT <b>MILLIMETER [ INCH ]</b>		IDENTIFICATION NO. U0500-17	
B DRAWING PROCESSED AS PART OF ECO 33971		CBM 04/07/11 33971		DO NOT SCALE THIS DRAWING		REV B	
REV DESCRIPTION		BY DATE ECO NO.		FILE: U0500-17		SHEET 1 OF 1	